

A4

1

2

3

4

5

6

7

8

9

A

A

B

B

C

C

D

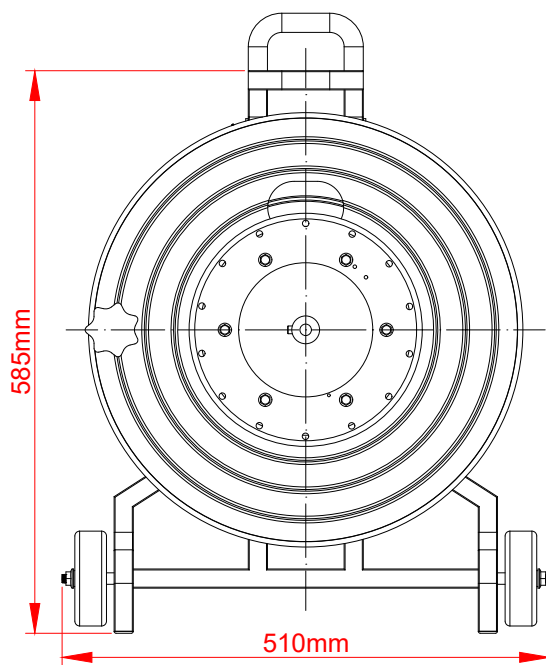
D

E

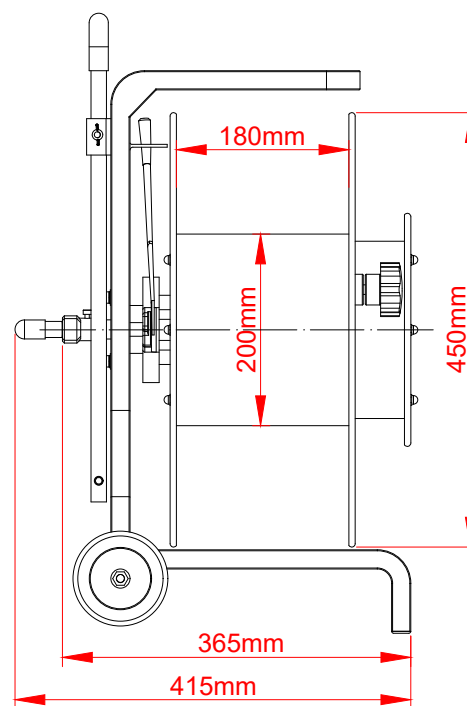
E

F

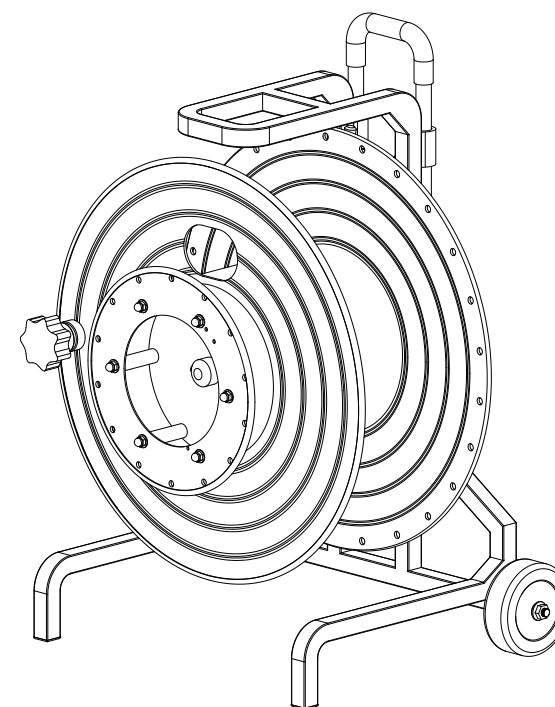
F



Front View



Side View



Stereogram

Model	BX-05	Diameter	3.0mm	Winding length	1500M
Product Size	510*415*585mm	Disc Diameter	450mm	Shaft Diameter	200mm
Disc Diameter	450mm	Disc Width	180mm	Disc Width	180mm
Shaft Diameter	200mm	Package Size	570*410*620mm	Package Size	570*410*620mm
Disc Width	180mm	Gross Weight	19KG	Gross Weight	19KG
Package Size	570*410*620mm	Net Weight	13KG	Net Weight	13KG
Gross Weight	19KG	Unit-Price	10.0mm	Unit-Price	140M
Net Weight	13KG	Notes	All metal, third gear manual speed adjustment with pull rod and pulley (optional rear rocker)		
Unit-Price	10.0mm				

Name	BX-10		
Model			
Drawer	Eddie	Audit	
Date	2023/06/13	Approver	

1

2

3

4

5

6

7

8

9