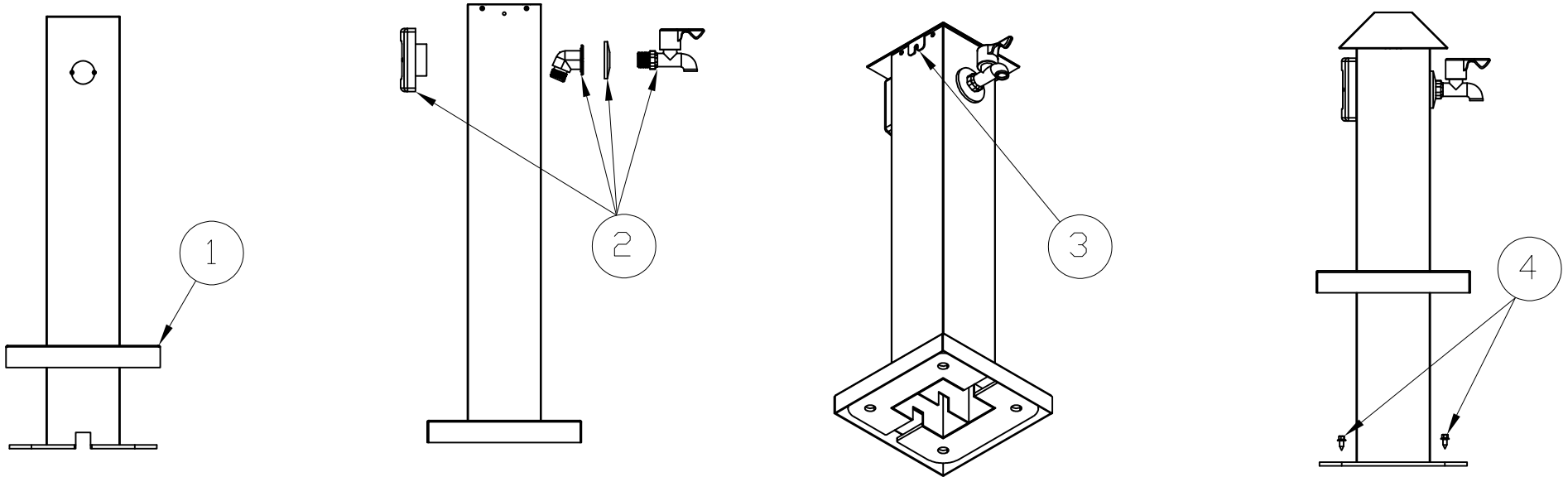


Installation Diagram



1. Install the bottom cover plate first

2. Install power socket and water-tap

3. Install the top cover board and use screw fix the top cover

4. Use screws fix the bottom cover plate and with top had at same time