

12G-SDI Fiber Extender



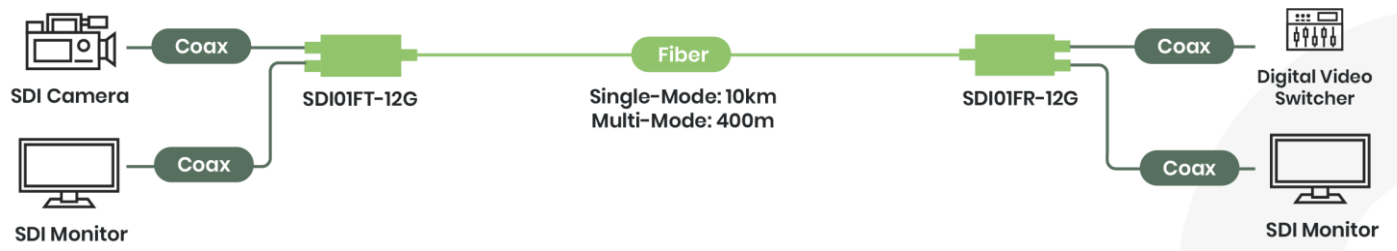
Introduction

SDI01F-12G is an SDI over fiber extender supporting up to 12G-SDI signals. The transmission distance can be 10km for single mode fibers and 400m for multi-mode fibers. Its small and compact size allows users to install in any broadcasting application easily.

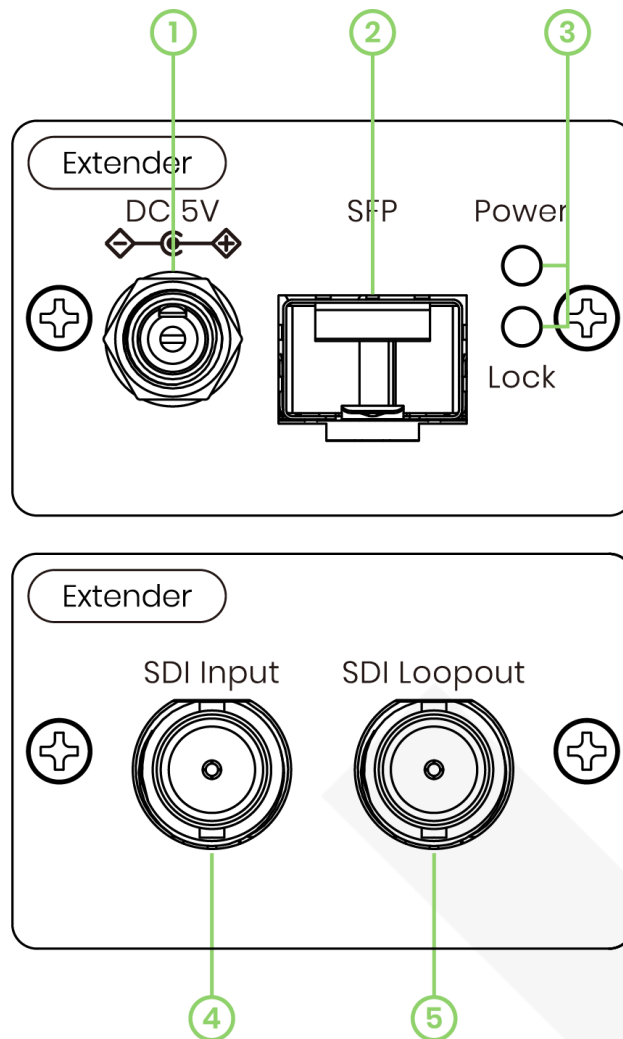
Features

- 12G-SDI input compatible with 6G/3G/HD/SD
- Transmission distance up to 10km for single-mode fibers and 400m for multi-mode fibers
- Power Input with locking design to prevent power interruption
- Small, compact and easy to install
- Multiple mounting options (Wall/Rack & Din-Rail)

Application Diagram

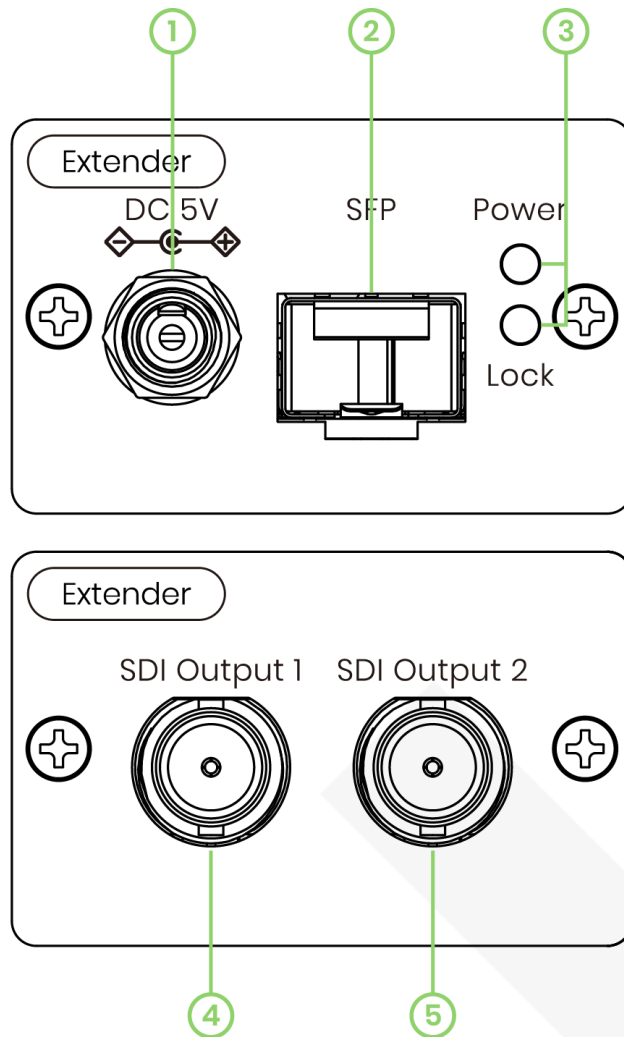


I/O Interface SDI01FT-12G



	Interface	Description
1	DC Jack (with locking)	To plug in DC 5V power adapter
2	SFP Fiber Connector	To connect to SFP Fiber Module
3	Power/Lock	To indicate the status of Power and SDI signals
4	SDI Input	To connect an SDI Source
5	SDI Loopout	To connect an SDI Display or Digital Video Switcher

SDI01FR-12G



	Interface	Description
1	DC Jack (with locking)	To plug in DC 5V power adapter
2	SFP Fiber Connector	To connect to SFP Fiber Module
3	Power/Lock	To indicate the status of Power and SDI signals
4	SDI Output 1	To connect an SDI Display or Digital Video Switcher
5	SDI Output 2	

LED Indication

Interface	LED Status	Description
Power	On (Green)	Power On
	Off	Power Off
Lock	On (Blue)	SDI signal lock and ready to transmit
	Off	No SDI signal

Technical Specification

Model	SDI01F-12G
Compliance	
SDI Resolution	12G: SMPTE 2048-1/2036-1 (3840 or 4096) x 2160p@60/59.94/50Hz 6G: SMPTE 2048-1/2036-1 (3840 or 4096) x 2160p@30/29.97/25/24/23.98Hz 3G-A: SMPTE 424M (1920 or 2048) x 1080p@60/59.94/50Hz HD: SMPTE 292M/274M/296M 1920 x 1080i@60/59.94/50Hz (1920 or 2048) x 1080p/psf@30/29.97/25/24/23.98Hz 1280 x 720p@60/59.94/50/30/29.97/25/24/23.98Hz SD: SMPTE 259M 625i50 525i59.94
Audio Format	Pass-Through
Wavelength	1310nm (Single-Mode Dual Fiber) 1270nm/1330nm (Single-Mode Single Fiber)
Transmission Distance	400m (Multi-Mode) 10km (Single-Mode)
Ports & Interfaces	
Input	1 x (12G/6G/3G/HD)-SDI
Output	1 x SFP 1 x (12G/6G/3G/HD)-SDI
Power	
Power Supply	DC 5V 2A
Power Consumption	< 5W
Ambient Temperature	
Operation	0 to 55°C
Storage	-40 to 85°C
Operating Altitude (Max.)	2000m
Humidity	Up to 95%
Physical Characteristics	
Dimension	50 x 93 x 32mm

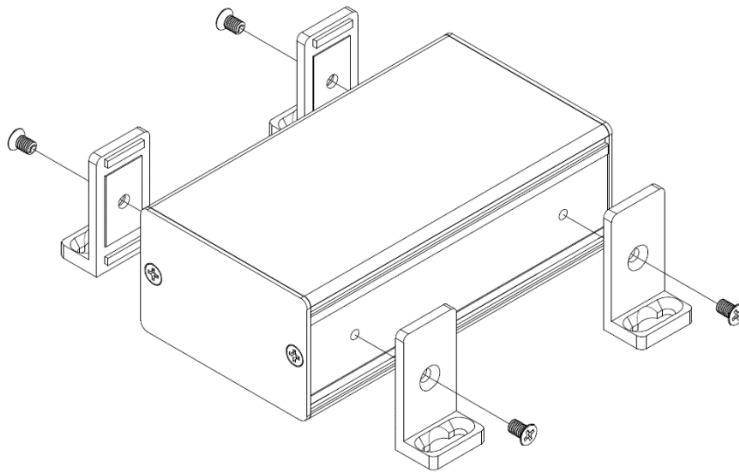
Caution

- This product is designed for indoor applications. If it is desired for outdoor use, please install additional equipment for waterproof protection and surge protectors to prevent damages caused by lighting.
- Do not put anything on the power and system cables, place them where they cannot be stepped on. Please be sure there is nothing resting on any cables.
- Avoid using this product close to water places, or near high temperature devices such as radiators, stoves, etc.
- Shut down the power supply and unplugged all equipment immediately if:
 - water or any kind of liquid has been spilled into the product;
 - the product has been damaged by external force;
 - the product does not operate normally as this manual indicates;
 - Please contact us for further repair if above conditions happen.
- Using certified Coaxial cables to transfer high-resolution video is recommended.

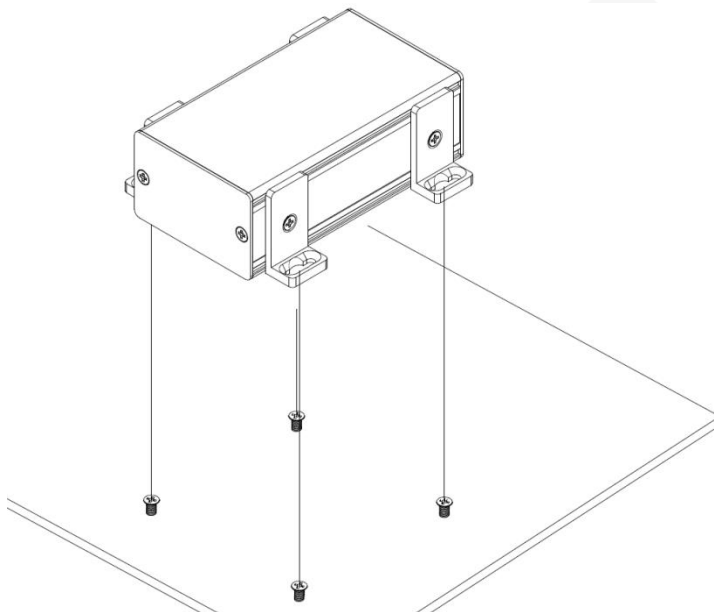
Installation

Installed on a Platform

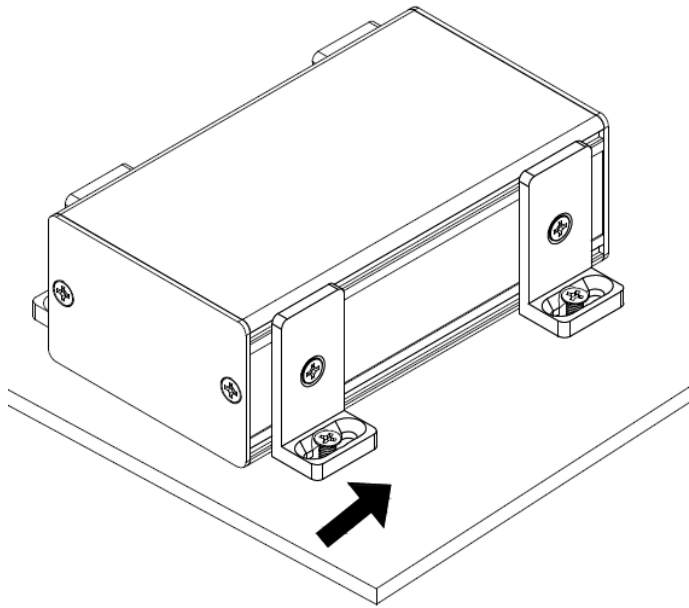
Step 1 Use machine screws to fix angle brackets on both sides of your product



Step 2 Use self-drilling screws to fix the product on a platform

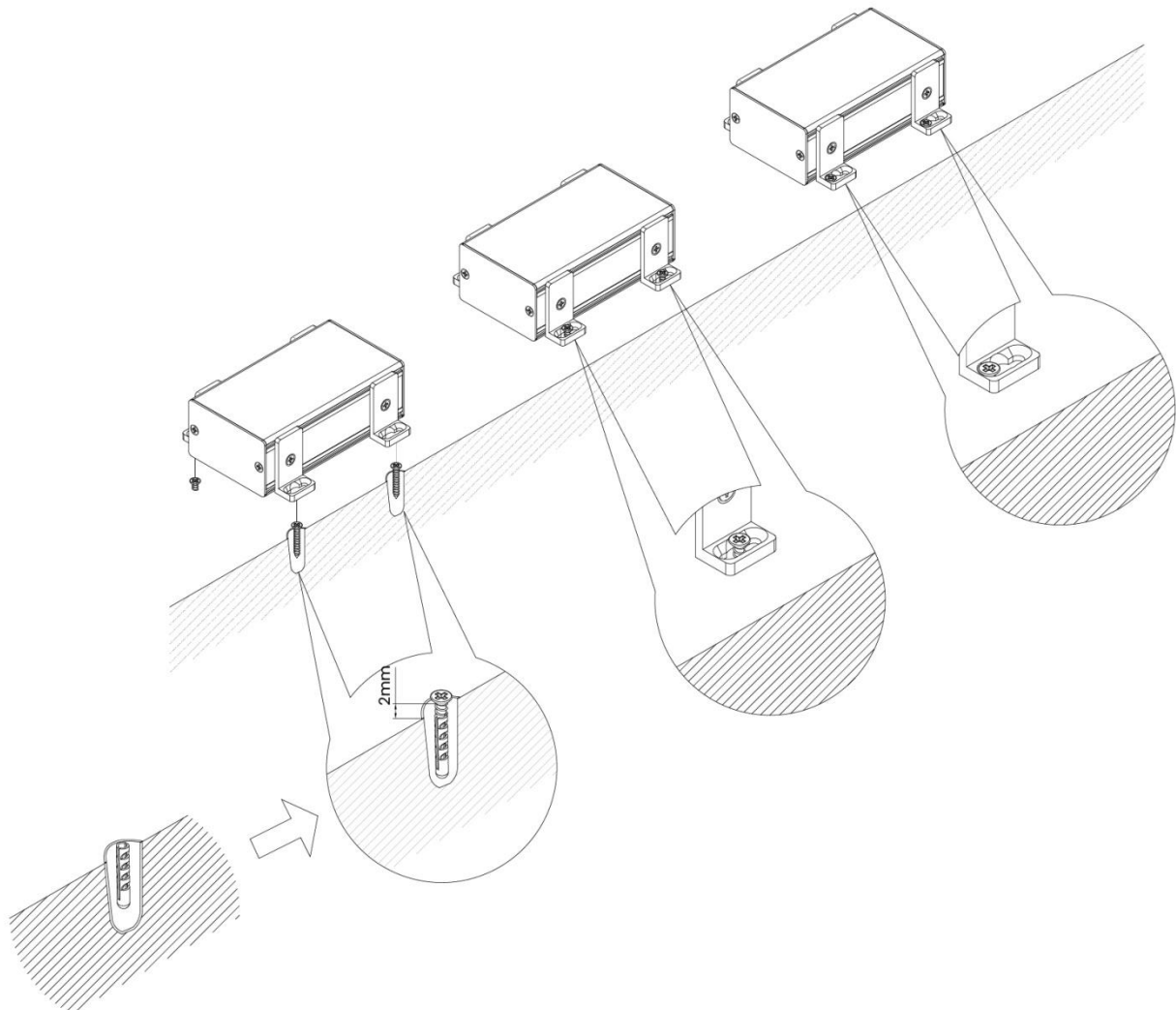


Step 3 Move the product to get fixed and then lock the screws



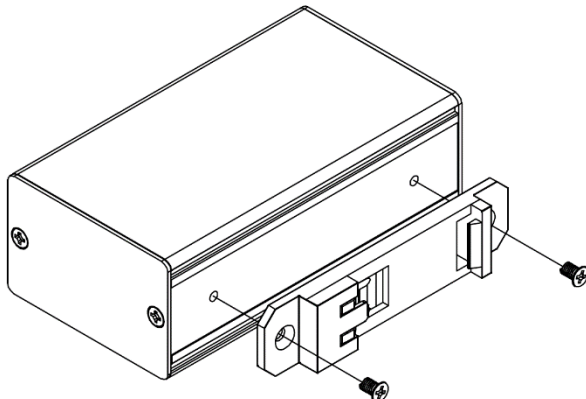
Installed on Wall

Step 1 Same way as “**Installed on a Platform**”, but need to put screw plugs into the pilot hole before inserting the screws (leave 2mm space from the platform)

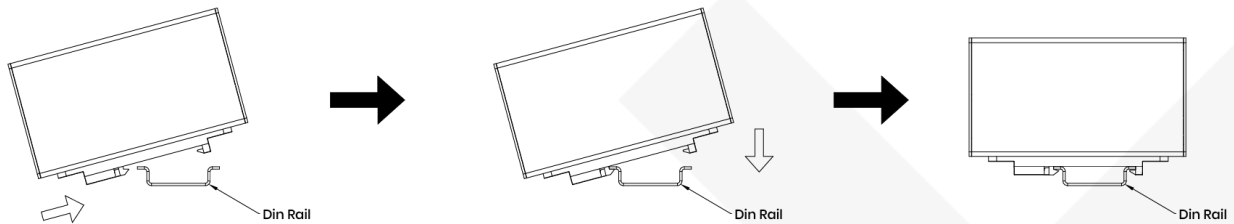


Installed on a DIN-rail

Step 1 Use machine screws to fix a DIN-rail mounting plat on the side of your product

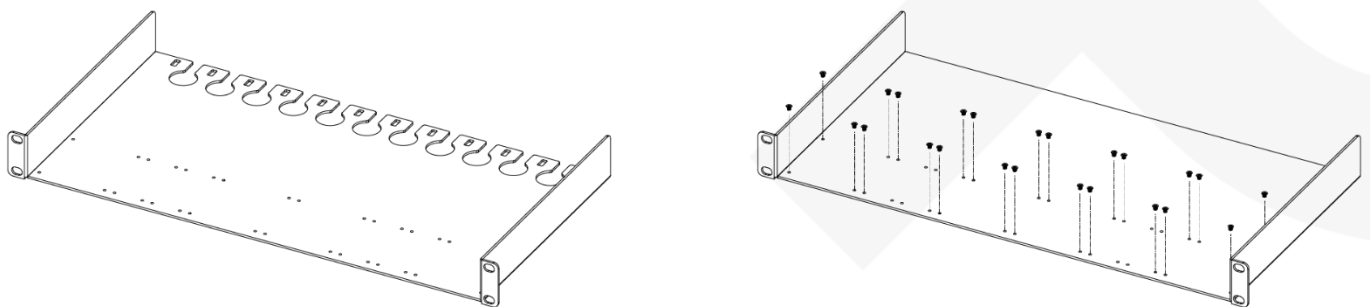


Step 2 Install your product on a DIN-rail as following instruction

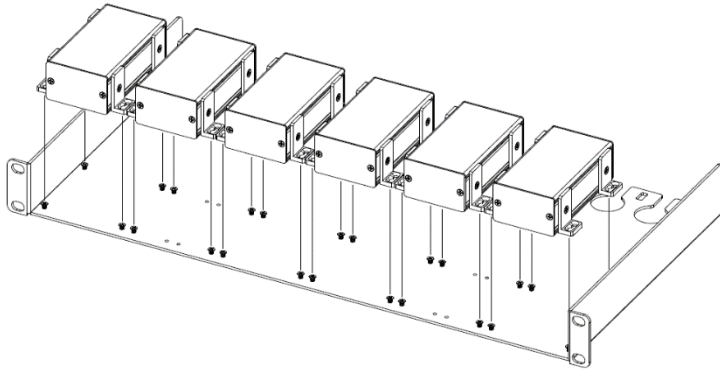


Installed on a Rack

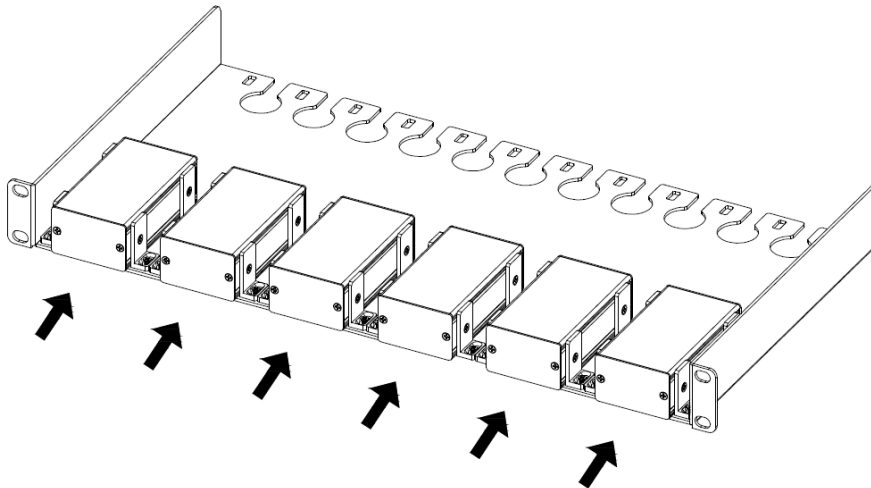
Step 1 Lock machine screws in the rack



Step 2 Put your products on the rack



Step 3 Push the products to the other side of the rack



Step 4 Install the rack in a cabinet

