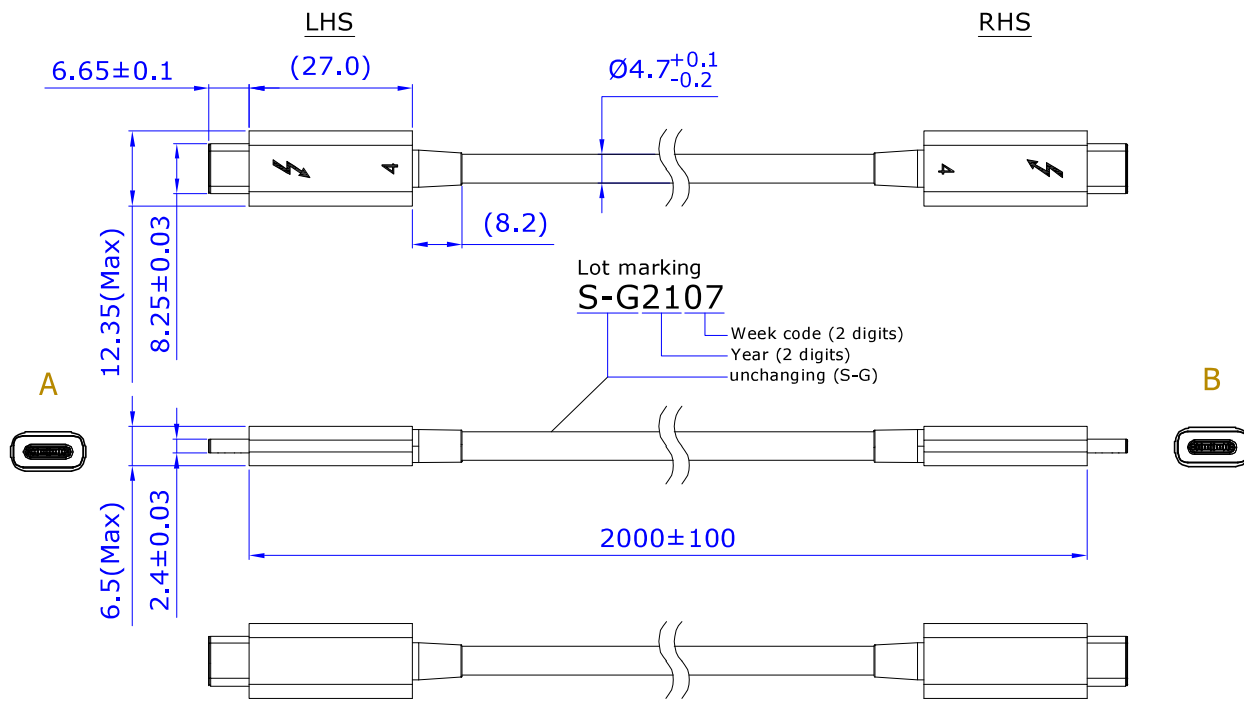


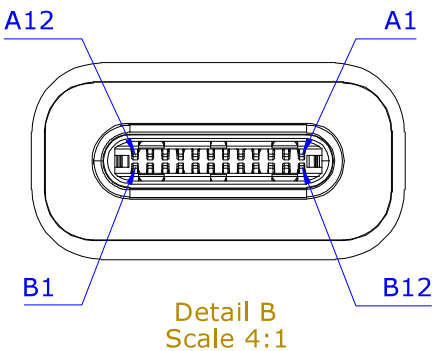
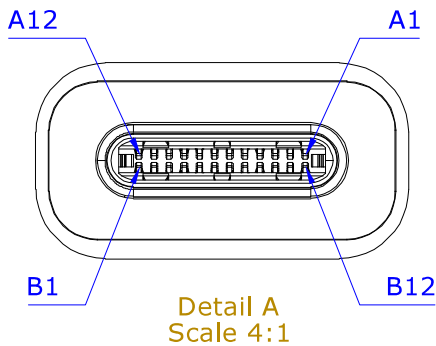
| REV. | DATE | REVISER | DESCRIPTION |
|------|---------------|---------|------------------|
| 0,0 | Jun. 20, 2024 | Y.ZHU | Initial Released |
| | | | |
| | | | |
| | | | |



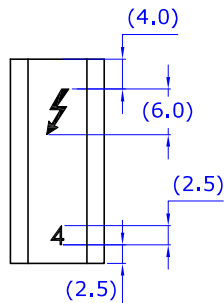
Pin assignment diagram

| Pin Number (LHS) | Signal Name | Cable Connection | Signal Name | Pin Number (RHS) |
|---------------------|-------------|------------------|-------------|---------------------|
| A1,B1,A12,B12 Shell | GND | <-----> | GND | A1,B1,A12,B12 Shell |
| A4,B4,A9,B9 | Vbus | <-----> | Vbus | A4,B4,A9,B9 |
| A2 | Txp1 | <-----> | RXp1 | B11 |
| A3 | Txn1 | <-----> | RXn1 | B10 |
| A5 | CC | <-----> | CC | A5 |
| A6 | Dp | <-----> | Dp | A6 |
| A7 | Dn | <-----> | Dn | A7 |
| A8 | SBU1 | <-----> | SBU2 | B8 |
| A10 | RXn2 | <-----> | TXn2 | B3 |
| A11 | RXp2 | <-----> | TXp2 | B2 |

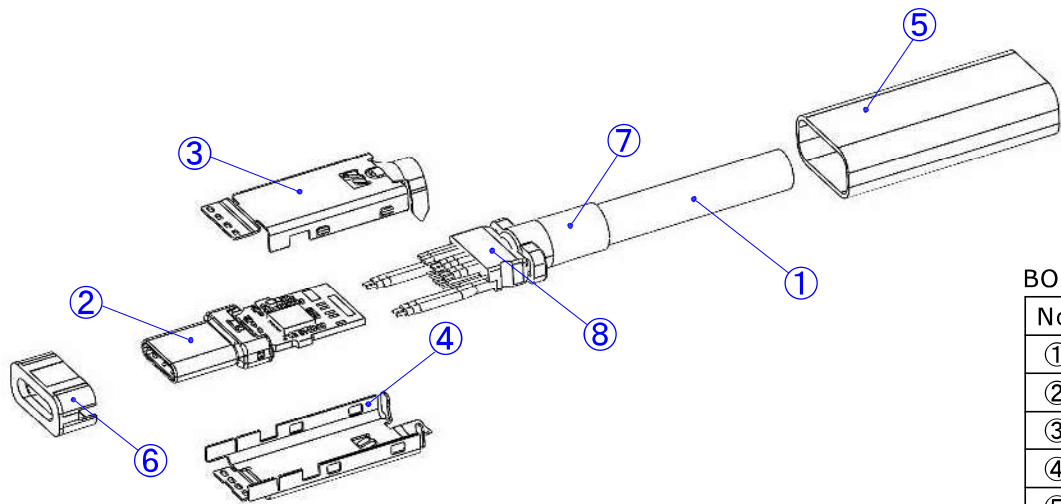
| | | | | |
|-----|-------|------------|-------|-----|
| B11 | RXp1 | <-----> | TXp1 | A2 |
| B10 | RXn1 | <-----> | TXn1 | A3 |
| B8 | SBU2 | <-----> | SBU1 | A8 |
| B7 | NC1 | No Connect | NC1 | B7 |
| B6 | NC2 | No Connect | NC2 | B6 |
| B5 | Vconn | <-----> | Vconn | B5 |
| B3 | TXn2 | <-----> | RXn2 | A10 |
| B2 | TXp2 | <-----> | RXp2 | A11 |



Boot logo: ink(white)



| | | | |
|---|-------------|----------------|---|
| CHECK BACK DRW | | USER | |
| PRODUCTION DRW | | PRODUCTION No. | |
| SPECIFICATION DRW | | NAME | THUNDERBOLT4 ACTIVE DUAL MBR1 2.0M 5A BLACK |
| SCALE | FREE | SIZE | |
| UNIT | mm | DRAWN | M.KAMEYA |
| SIZE | A4 | DESIGNER | Y.ZHU |
| DRAWN | M.KAMEYA | ENG APPR. | T.TAKAHASHI |
| DESIGNER | Y.ZHU | DRAWING No. | DC-010623 |
| ENG APPR. | T.TAKAHASHI | REV. | 0,0 |
| <small>PROPRIETARY AND CONFIDENTIAL THE INFORMATION CONTAINED IN THIS DRAWING IS THE SOLE PROPERTY OF SUMITOMO (SEE) ELECTRONIC WIRE, INC. ANY REPRODUCTION IN WHOLE OR IN PART WITHOUT WRITTEN PERMISSION OF SUMITOMO (SEE) ELECTRONIC WIRE, INC. IS PROHIBITED.</small> | | | SHEET |
| | | | 1 / 2 |



BOM list

| No. | Material name | Qty |
|-----|---------------------------------------|------|
| ① | Raw cable: F18C-B AWG30/32 5A MBR #40 | 2.0m |
| ② | PCBA-Plug | 2pcs |
| ③ | EMI shell top | 2pcs |
| ④ | EMI shell bottom | 2pcs |
| ⑤ | Boot | 2pcs |
| ⑥ | Boot cap | 2pcs |
| ⑦ | Strain relief | 2pcs |
| ⑧ | Mold | A/R |

Firmware list

| Type | Firmware file name |
|----------|--------------------------------------|
| Main | emca_1.cyacd |
| Failsafe | emca_2.cyacd |
| Config | MB-LRcable_2.0m PD3+2_20200629.cyacd |



| | | |
|----------------|---|----------|
| USER | | |
| PRODUCTION No. | | |
| NAME | THUNDERBOLT4 ACTIVE DUAL MBR1 2.0M 5A BLACK | |
| SIZE | | |
| DRAWING No. | DC-010623 | REV. 0.0 |
| | | SHEET |
| | | 2 / 2 |