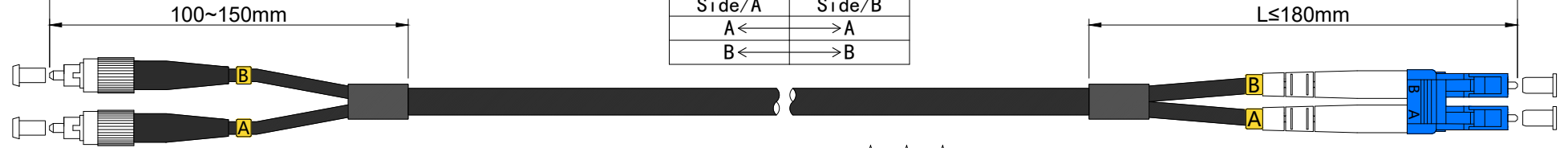


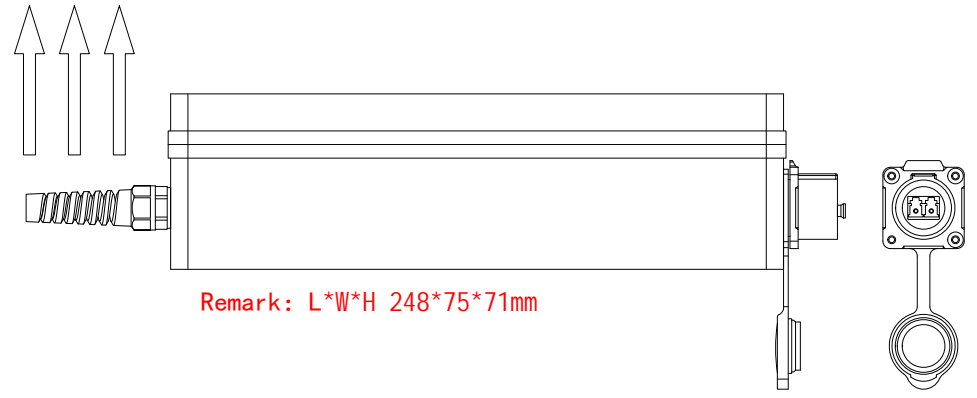
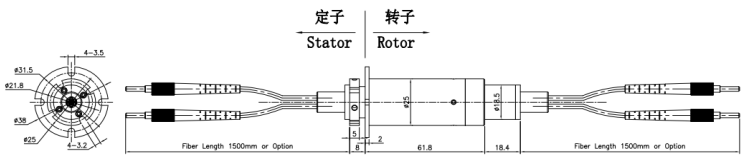
A4 1 2 3 4 5 6 7 8 9

L:500±0.05M

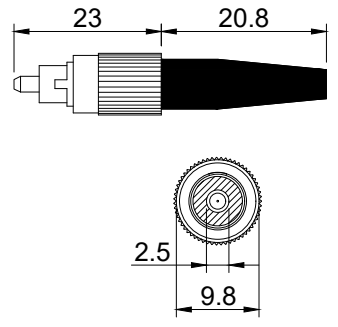
FIBER CONNECTIVITY	
Side/A	Side/B
A←	→A
B←	→B



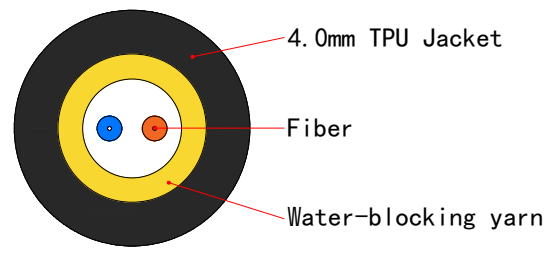
FC side connecting with Fiber rotary Joints
2FC-2LC-SM-2CH



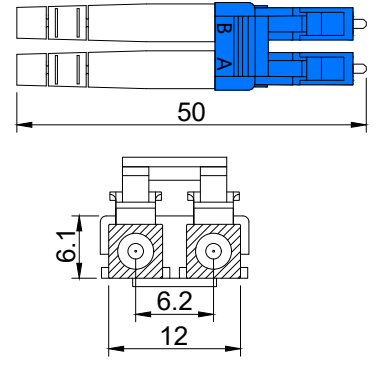
Side A



Optical cable Diagram



Side B



Cable Parameters

Fiber Type	SM/G657A2	
Fiber Count	2	
Operate Temperature	-40~45°C	
Storage Temperature	-55~85°C	
Jacket	Dimension	φ4.0mm
	Material	TPU
	Color	Black
Tension	Short term	800N
	Long term	400N

Connector Parameters

Connector Type A	FC/UPC
Insertion Loss	≤0.3dB
Return Loss	≥50dB
Connector Type B	LC/UPC
Insertion Loss	≤0.3dB
Return Loss	≥50dB
Test Wavelength	@1310/1550nm
Repeatability	≤0.2dB
Interchangeability	≤0.2dB
Durability	800~1000
Operating Temperature	-40~75°C

Remark: Fiber end face Grade A, Standard LC: IEC61754-20;
FC: IEC61754-13 and YD/T1272.4



Name	2*FC/UPC-2*LC/UPC-SM-DX-4.0mm-TPU黑-500M		
Model			
Drawer	Eddie	Audit	Nancy
Date	2024/09/21	Approver	Nancy

1 2 3 4 5 6 7 8 9