

A4

1 2 3 4 5 6 7 8 9

A

A

B

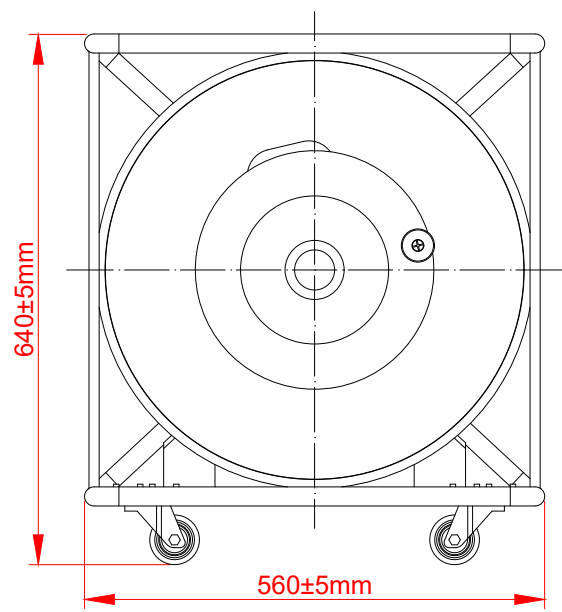
B

C

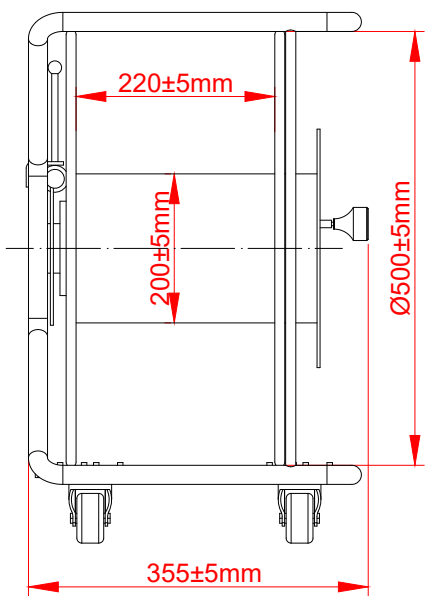
C

D

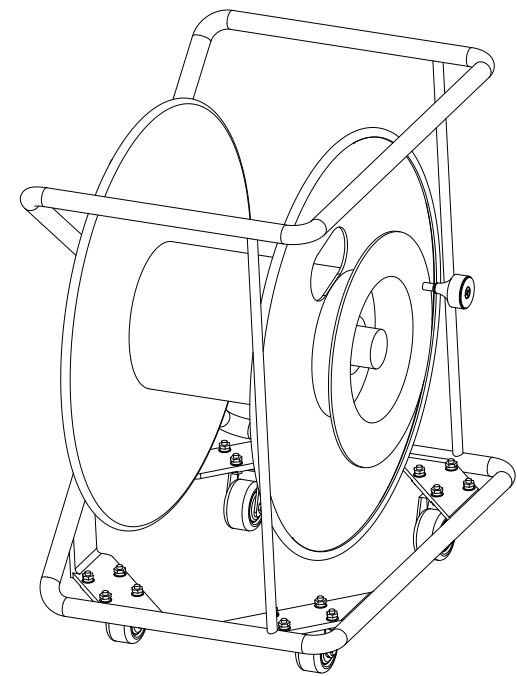
D



Front View



Side View



Stereogram

E

E

F

F

Model	TC-10	Diameter	3.0mm	Winding length	3600M
Product Size	560*355*640mm	Disc Diameter	500mm	Shaft Diameter	200mm
Disc Diameter	500mm	Disc Width	220mm	Disc Width	220mm
Shaft Diameter	200mm	Package Size	580*380*660mm	Package Size	580*380*660mm
Disc Width	220mm	Gross Weight	18KG	Gross Weight	18KG
Package Size	580*380*660mm	Net Weight	16KG	Net Weight	16KG
Gross Weight	18KG	Unit-Price		Unit-Price	
Net Weight	16KG	Notes	Four wheel translation type, all metal, pulley with brake, three speed regulation		
Unit-Price					

Name	TC-10		
Model			
Drawer	Eddie	Audit	
Date	2024/04/28	Approver	

1 2 3 4 5 6 7 8 9