

## USB3.2 Cat6a Extender



## Introduction

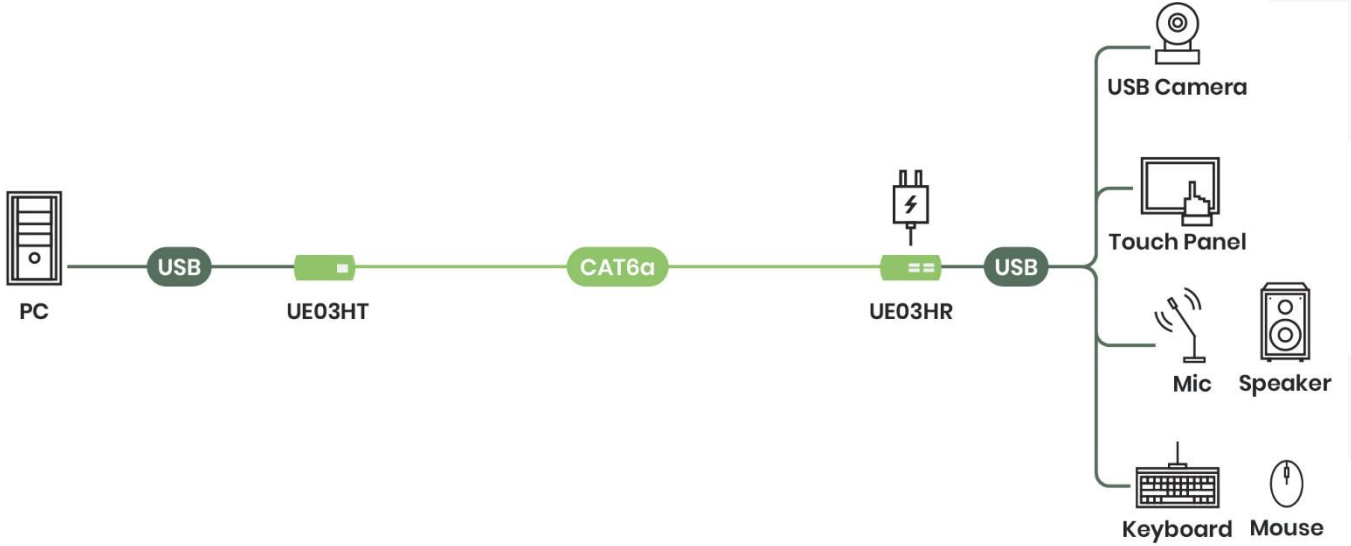
UE03H is a USB3.2 Gen1 extender designed to carry USB3 signal using Cat6a/7 Ethernet cable. It is totally backward compatible with USB2 & USB1 devices. It is perfect for multiple applications including devices such as USB cameras, touch panels, and any other USB3, USB2 or USB1 devices.

## Features

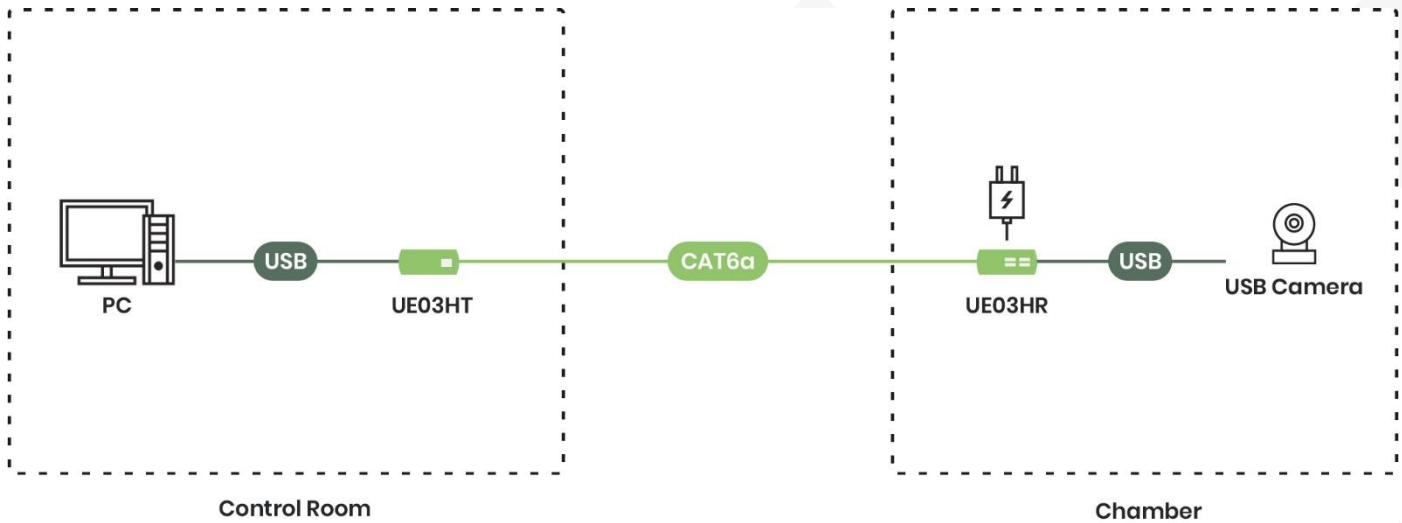
- USB3.2 Gen1 up to 5Gbps (backward compatible with USB2 & USB1)
- Transmission distance up to 100m with Cat6a cable
- RS232 optional extension
- Compatible with USB2 and USB1 devices
- USB Type-C port on both sides
- Plug & Play
- Small & Compact, easy to install
- Low power consumption
- Multiple mounting options (Wall/Rack & Din Rail)

Application Diagram

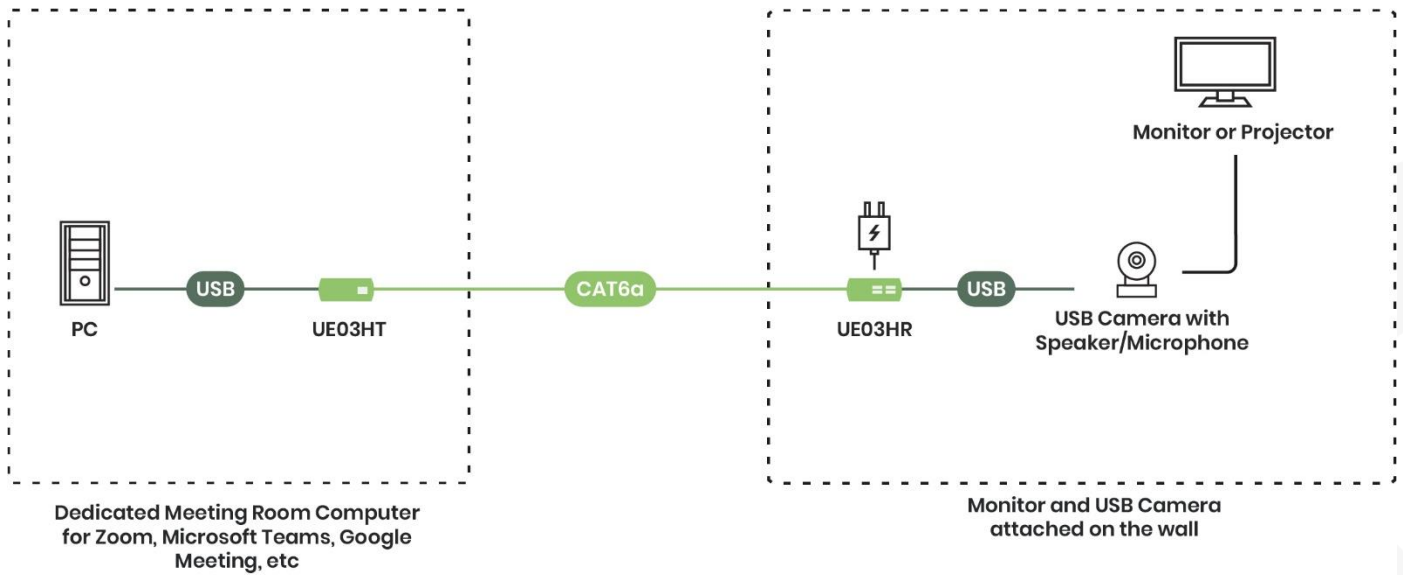
USB3 Extension for General Purposes



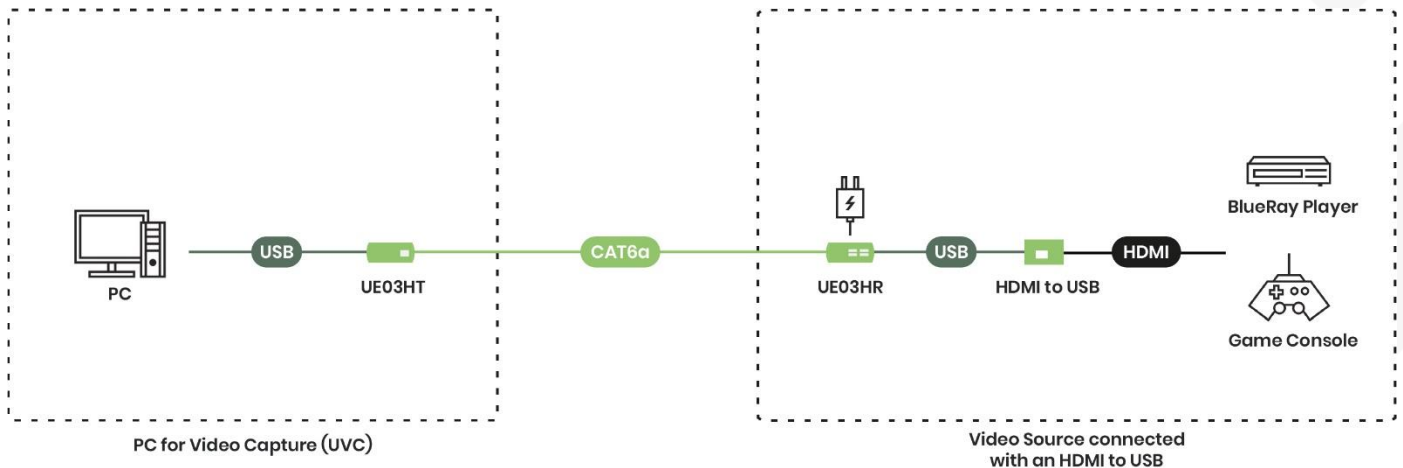
USB3 Extension for Security/Monitoring



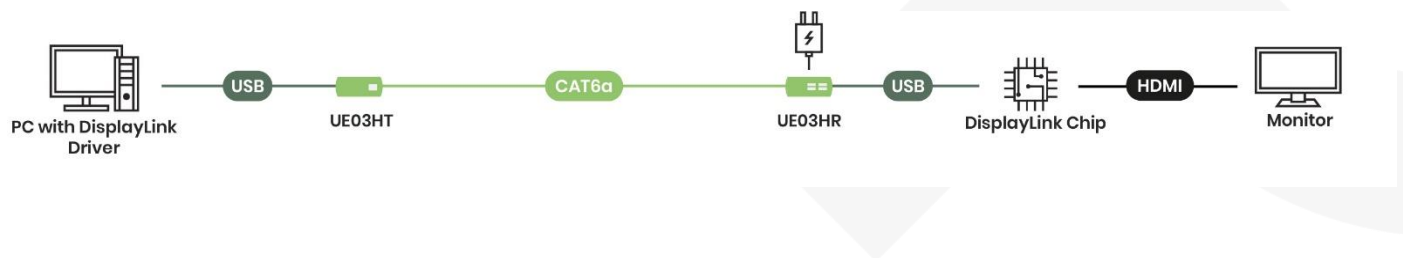
USB3 Extension for Video Conferencing



**USB3 Extension for Video Capture**

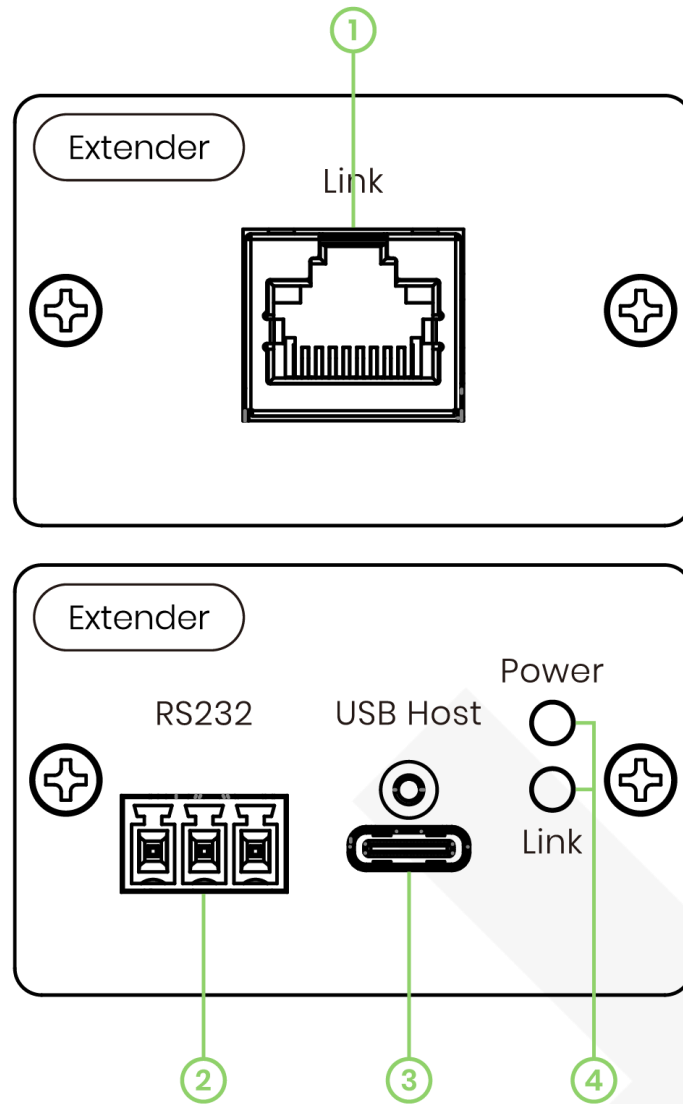


**USB3 Extension using DisplayLink**



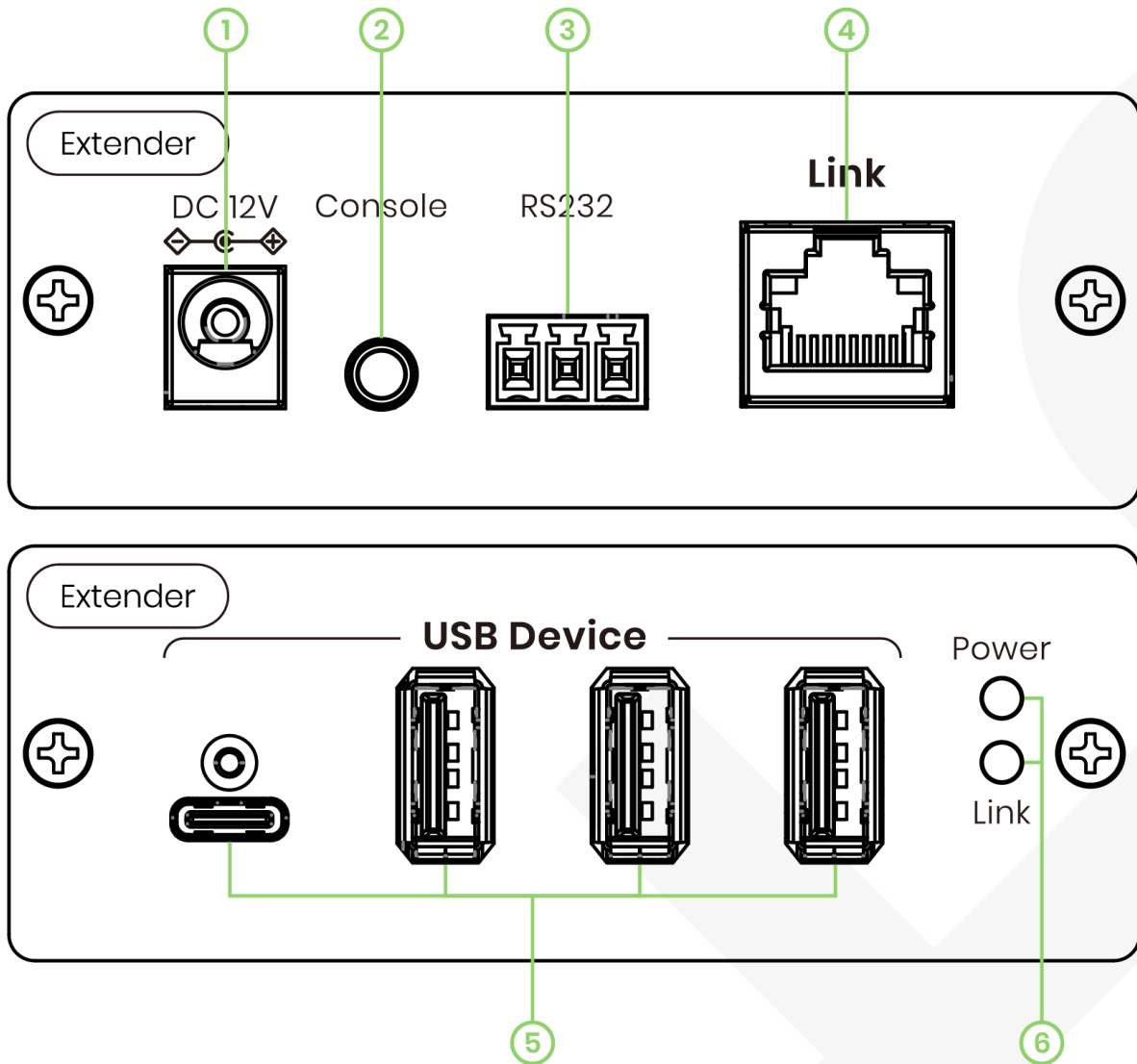
I/O Interface

UE03HT



	Interface	Description
1	RJ45	To connect to UE03HR
2	Terminal Block	To connect to an RS232 device
3	USB Type-C	To connect an USB Host
4	LED	To indicate the status of Power and Link

UE03HR



	Interface	Description
1	DC Jack	To connect to DC 12V
2	3.5mm Phone Jack	To update FW (need 3.5mm Phone Jack to RS232)
3	Terminal Block	To connect to an RS232 device
4	RJ45	To connect to UE03HT
5	USB Type-C/Type-A	To connect USB devices
6	LED	To indicate the status of Power and Link

**LED Indication**

Interface	LED Status	Description
Power	On	Power On
	Off	Power Off
Link	On	UE03HT & UE03HR linked
	Off	No connection with UE03HT/UE03HR

## Technical Specification

UE03H	UE03HT	UE03HR
Compliance		
Standard	USB3.2 Gen1 USB2.0 USB1.1	
Max. Transmission Distance	100M over CAT6a/7	
Data Rate	USB3 up to 5Gbps bidirectional	
Ports & Interfaces		
USB Data	1 x USB Type-C	3 x USB Type-A 1 x USB Type-C
Transmission Medium	1 x RJ45	1 x RJ45
RS232	1 x 3-Pin Terminal Block	1 x 3-Pin Terminal Block
Console		1 x 3.5mm Phone Jack
Power		
Power Supply	5V 0.5A	12V 1.5A
Power Consumption	2.35W	2.35W
Ambient Temperature		
Operation	0 to 55°C	
Storage	-40 to 80°C	
Operating Altitude	2000m	
Humidity	Up to 95%	
Physical Characteristics		
Dimension	50 x 93 x 32mm	87 x 123 x 32mm

## Caution

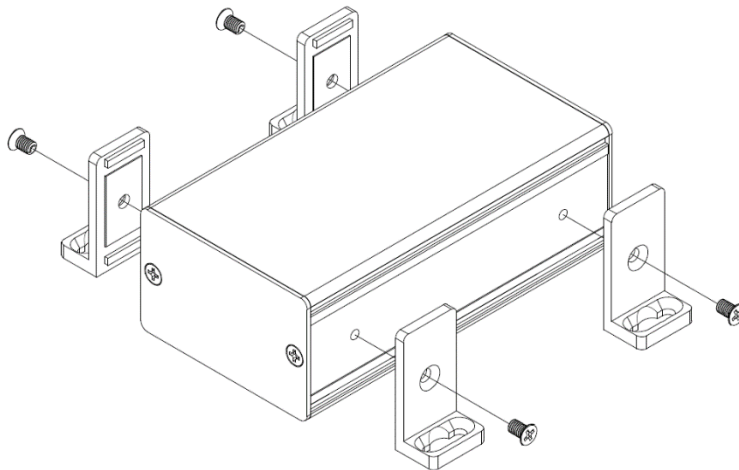
- This product is designed for indoor applications. If it is desired for outdoor use, please install additional equipment for waterproof protection and surge protectors to prevent damages caused by lightning.
- Do not put anything on the power and system cables, place them where they cannot be stepped on. Please be sure there is nothing resting on any cables.
- Avoid using this product close to water places, or near high temperature devices such as radiators, stoves, etc.
- Shut down the power supply and unplugged all equipment immediately if:
  - water or any kind of liquid has been spilled into the product;
  - the product has been damaged by external force;
  - the product does not operate normally as this manual indicates;
  - Please contact us for further repair if above conditions happen.



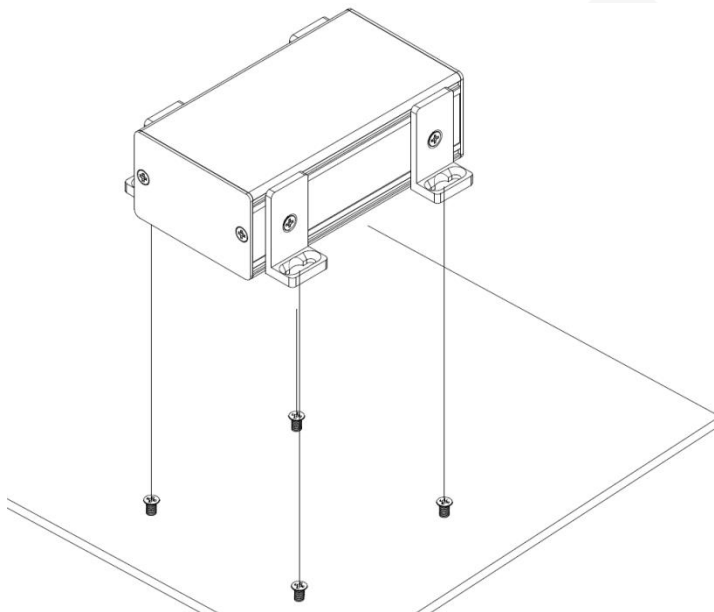
## Installation

### Installed on a Platform

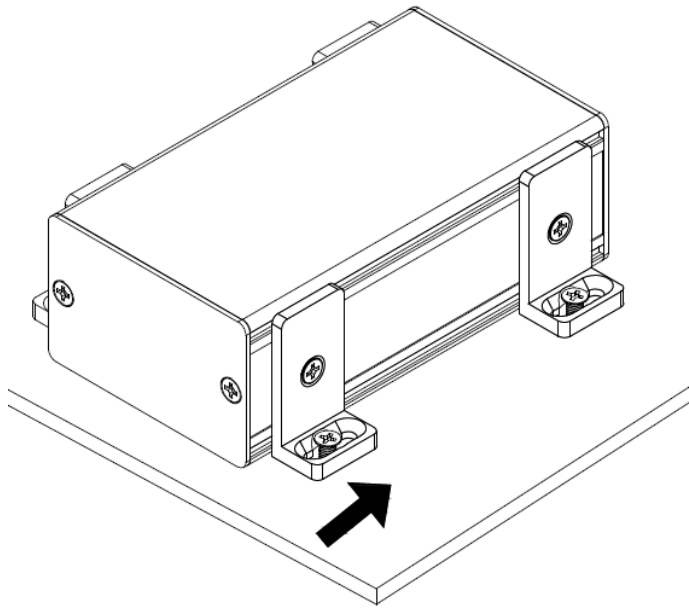
**Step 1** Use machine screws to fix angle brackets on both sides of your product



**Step 2** Use self-drilling screws to fix the product on a platform

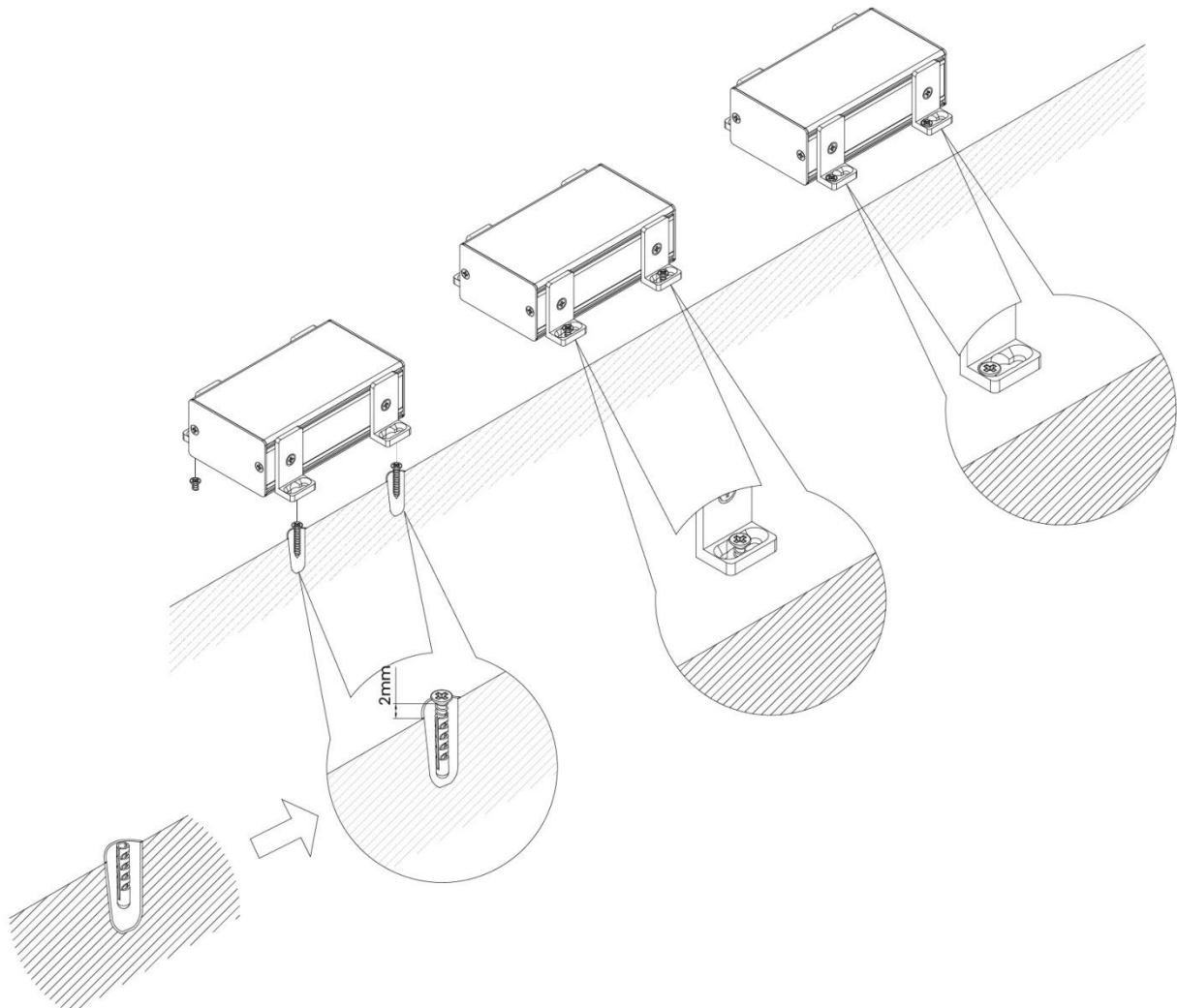


**Step 3** Move the product to get fixed and then lock the screws



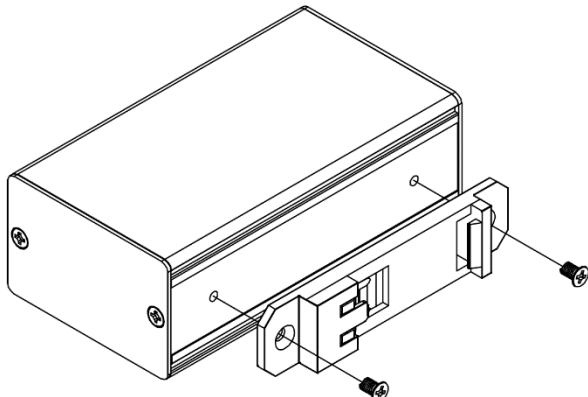
**Installed on Wall**

**Step 1** Same way as “**Installed on a Platform**”, but need to put screw plugs into the pilot hole before inserting the screws (leave 2mm space from the platform)

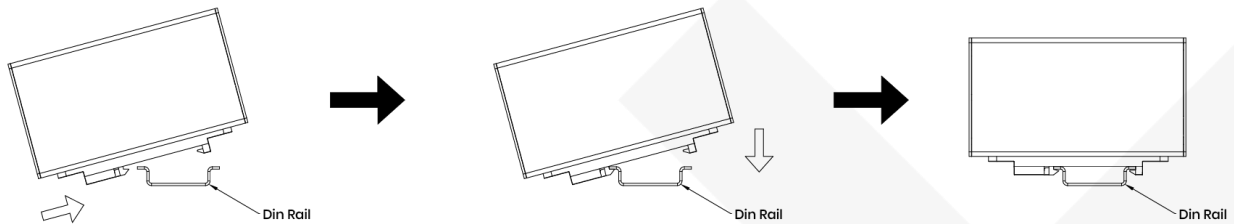


**Installed on a DIN-rail**

**Step 1** Use machine screws to fix a DIN-rail mounting plat on the side of your product

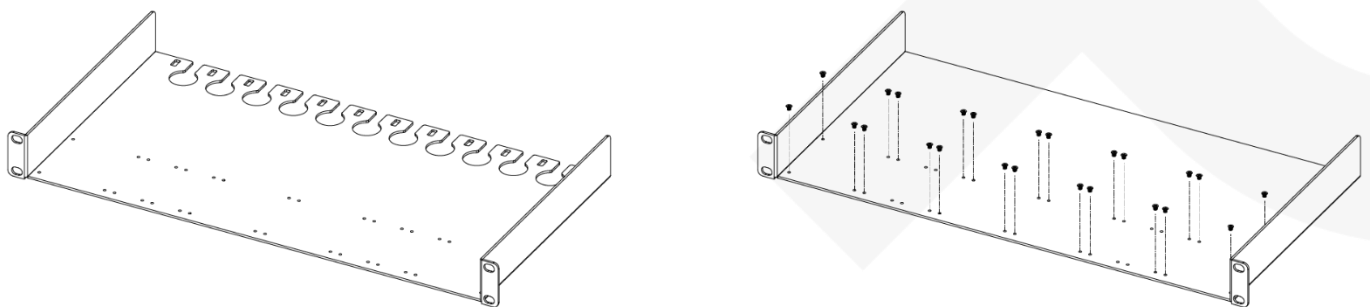


**Step 2** Install your product on a DIN-rail as following instruction

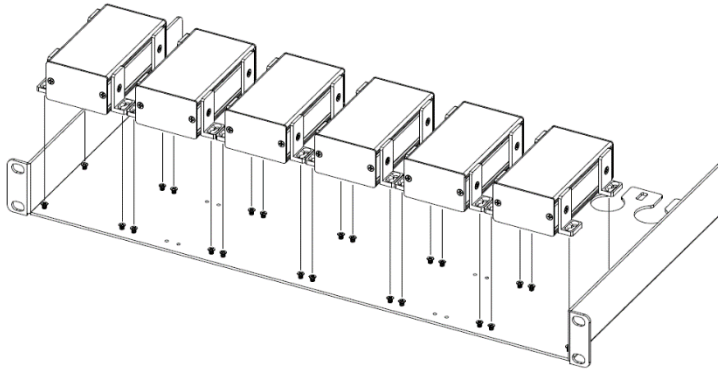


**Installed on a Rack**

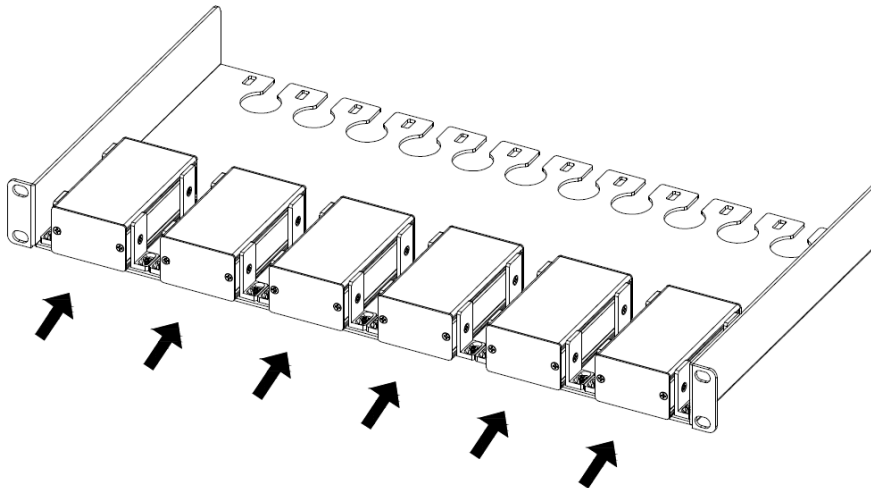
**Step 1** Lock machine screws in the rack



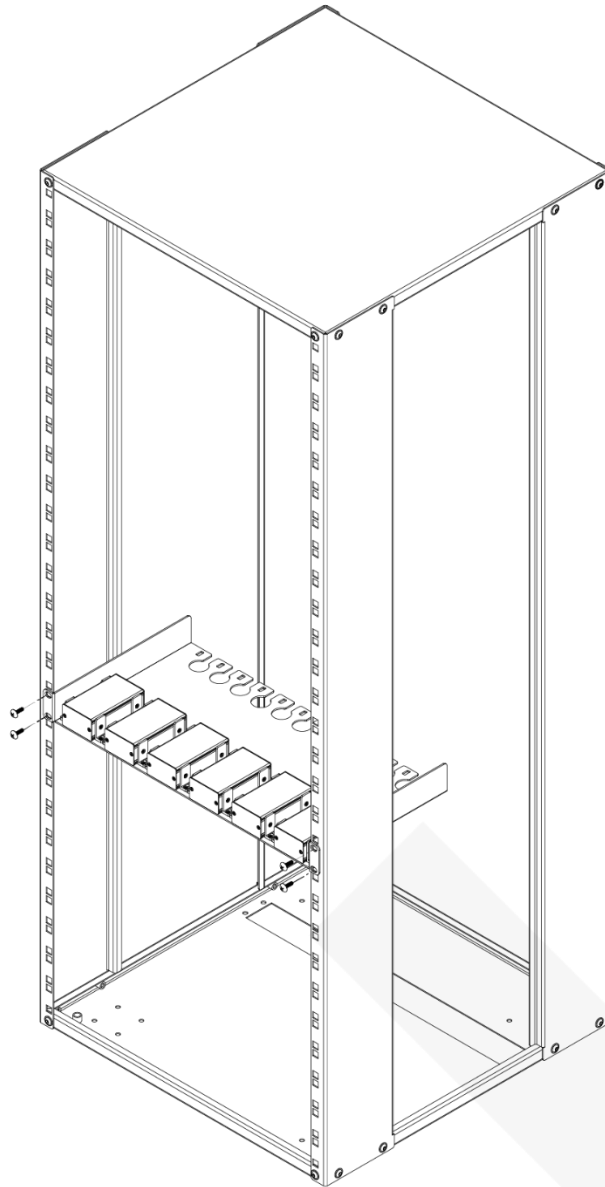
**Step 2** Put your products on the rack



**Step 3** Push the products to the other side of the rack



**Step 4** Install the rack in a cabinet



Production